

9. Current Electricity



Can you recall?

- There can be three types of electrical conductors: good conductors (metals), semiconductors and bad conductors (insulators).
- Does a semiconductor diode and resistor have similar electrical properties?
- Can you explain why two or more resistors connected in series and parallel have different effective resistances?

9.1 Introduction:

In XIth Std. we have studied the origin of electrical conductivity, in particular for metals. We have also studied how to calculate the effective resistance of two or more resistances in series and in parallel. However, a circuit containing several complex connections of electrical components cannot be easily reduced into a single loop by using the rules of series and parallel combination of resistors. More complex circuits can be analyzed by using Kirchhoff's laws. Gustav Robert Kirchhoff (1824-1887) formulated two rules for analyzing a complicated circuit. In this chapter we will discuss these laws and their applications.

9.2 Kirchhoff's Laws of Electrical Network:

Before describing these laws we will define some terms used for electrical circuits.

Junction: Any point in an electric circuit where two or more conductors are joined together is a junction.

Loop: Any closed conducting path in an electric network is called a loop or mesh.

Branch: A branch is any part of the network that lies between two junctions.

In Fig. 9.1, there are two junctions, labeled a and b. There are three branches: these are the three possible paths 1, 2 and 3 from a to b.

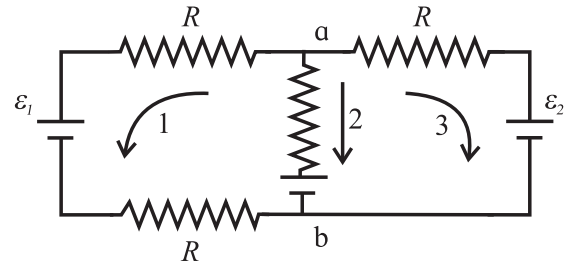


Fig 9.1: Electric network.

For a steady current flowing through an electrical network of resistors, the following Kirchhoff's laws are applicable.

9.2.1 Kirchhoff's First Law: (Current law/ Junction law)

The algebraic sum of the currents at a junction in an electrical network, is zero i.e., $\sum_{i=1}^n I_i = 0$, where I_i is the current in the i^{th} conductor at a junction having n conductors.

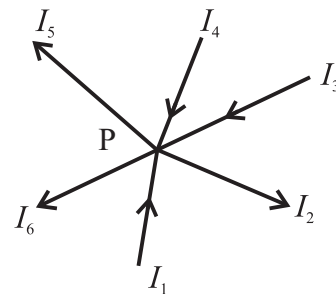


Fig. 9.2: Kirchhoff first law.

Sign convention:

The currents arriving at the junction are considered positive and the currents leaving the junction are considered negative.

Consider a junction P in a circuit where six conductors meet (Fig.9.2). Applying the sign convention, we can write

$$I_1 - I_2 + I_3 + I_4 - I_5 - I_6 = 0 \quad \text{--- (9.1)}$$

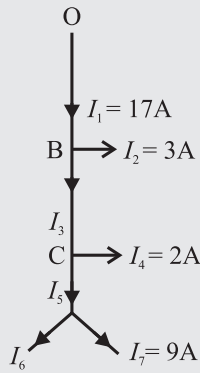
Arriving currents I_1, I_3 and I_4 are considered positive and leaving currents I_2, I_5 and I_6 are considered negative.

Equation (9.1) can also be written as

$$I_1 + I_3 + I_4 = I_2 + I_5 + I_6$$

Thus the total current flowing towards the junction is equal to the total current flowing away from the junction.

Example 9.1: Figure shows currents in a part of electrical circuit. Find the current X ?



Solutions: At junction B, current I_1 is split into I_2 and I_3 therefore $I_1 = I_2 + I_3$
 Substituting values we get
 $I_3 = 14 \text{ A}$
 At C, $I_5 = I_3 + I_4$ therefore
 $I_5 = 16 \text{ A}$
 At D, $I_5 = I_6 + I_7$ therefore
 $I_6 = 7 \text{ A}$

9.2.2 Kirchhoff's Voltage Law:

The algebraic sum of the potential differences (products of current and resistance) and the electromotive forces (emfs) in a closed loop is zero.

$$\sum IR + \sum \varepsilon = 0 \quad \text{--- (9.2)}$$

Sign convention:

1. While tracing a loop through a resistor, if we are travelling along the direction of conventional current, the potential difference across that resistance is considered negative. If the loop is traced against the direction of the conventional current, the potential difference across that resistor is considered positive.
2. The emf of an electrical source is positive while tracing the loop within the source from the negative terminal of the source to its positive terminal. It is taken as negative while tracing within the source from positive terminal to the negative terminal.

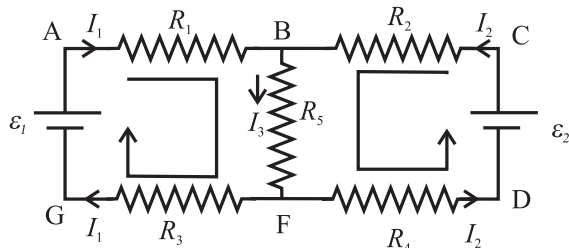


Fig. 9.3: Electrical network.

Consider an electrical network shown in Fig. 9.3.

Consider the loop ABFGA in clockwise

sense. Applying the sign conventions and using Eq. (9.2), we get,

$$-I_1 R_1 - I_3 R_5 - I_1 R_3 + \varepsilon_1 = 0$$

$$\therefore \varepsilon_1 = I_1 R_1 + I_3 R_5 + I_1 R_3$$

Now consider the loop BFDCB in anticlockwise direction. Applying the sign conventions, we get,

$$-I_2 R_2 - I_3 R_5 - I_2 R_4 + \varepsilon_2 = 0$$

$$\therefore \varepsilon_2 = I_2 R_2 + I_3 R_5 + I_2 R_4$$



Remember this

Kirchhoff's first law is consistent with the conservation of electrical charge while the voltage law is consistent with the law of conservation of energy.

Some charge is received per unit time due to the currents arriving at a junction. For conservation of charge, same amount of charge must leave the junction per unit time which leads to the law of currents.

Algebraic sum of emfs (energy per unit charge) corresponds to the electrical energy supplied by the source. According to the law of conservation of energy, this energy must appear in the form of electrical potential difference across the electrical elements/devices in the loop. This leads to the law of voltages.

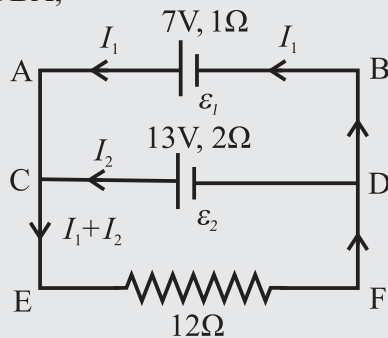
Steps usually followed while solving a problem using Kirchhoff's laws:

- i) Choose some direction of the currents.
- ii) Reduce the number of variables using Kirchhoff's first law.
- iii) Determine the number of independent loops.
- iv) Apply voltage law to all the independent loops.
- v) Solve the equations obtained simultaneously.
- vi) In case, the answer of a current variable is negative, the conventional current is flowing in the direction opposite to that chosen by us.

Example 9.2: Two batteries of 7 volt and 13 volt and internal resistances 1 ohm and 2 ohm respectively are connected in parallel with a resistance of 12 ohm. Find the current through each branch of the circuit and the potential difference across 12-ohm resistance.

Solutions: Let the currents passing through the two batteries be I_1 and I_2 .

Applying Kirchoff second law to the loop AEFBA,



$$\begin{aligned} -12(I_1 + I_2) - 1I_1 + 7 &= 0 \\ 12(I_1 + I_2) + 1I_1 &= 7 \quad \text{--- (1)} \end{aligned}$$

For the loop CEFDC

$$\begin{aligned} -12(I_1 + I_2) - 2I_2 + 13 &= 0 \\ 12(I_1 + I_2) + 2I_2 &= 13 \quad \text{--- (2)} \end{aligned}$$

From (1) and (2) $2I_2 - I_1 = 13 - 7 = 6$

$$I_1 = 2I_2 - 6$$

Substituting I_1 value in (2)

$$\begin{aligned} I_2 &= \frac{85}{38} = 2.237 \text{ A} \\ I_1 &= 2I_2 - 6 \\ I_1 &= 2 \times \frac{85}{38} - 6 = -1.526 \text{ A} \end{aligned}$$

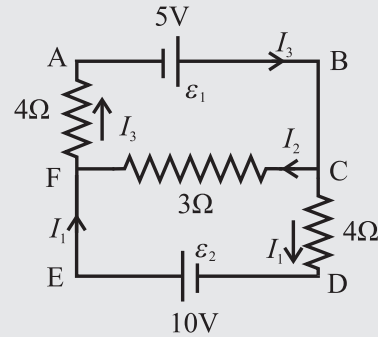
$$I = I_1 + I_2 = -1.526 \text{ A} + 2.237 \text{ A} = 0.711 \text{ A}$$

Potential difference across 12 Ω resistance
 $V = IR = 0.711 \times 12 = 8.532 \text{ V}$

Example 9.3: For the given network, find the current through 4 ohm and 3 ohm. Assume that the cells have negligible internal resistance.

Solution: Applying Kirchoff's first law
 At junction F,

$$I_1 + I_2 = I_3 \quad \text{--- (1)}$$



Applying Kirchoff second law,

(i) loop EFCDE,

$$\begin{aligned} 3I_2 - 4I_1 + 10 &= 0 \\ 4I_1 - 3I_2 &= 10 \quad \text{--- (2)} \end{aligned}$$

(ii) loop FABCF

$$\begin{aligned} -4I_3 - 3I_2 + 5 &= 0 \\ 4I_3 + 3I_2 &= 5 \quad \text{--- (3)} \end{aligned}$$

From Eq. (1) and Eq. (2)

$$\begin{aligned} 4(I_3 - I_2) - 3I_2 &= 10 \\ -3I_2 + 4I_3 - 4I_2 &= 10 \\ 4I_3 - 7I_2 &= 10 \quad \text{--- (4)} \end{aligned}$$

From Eq. (3) and Eq. (4)

$$\begin{aligned} 10I_2 &= -5 \\ I_2 &= -0.5 \text{ A} \end{aligned}$$

Negative sign indicates that I_2 current flows from F to C

$$\begin{aligned} \text{From Eq. (2)} \quad 4I_1 - 3(-0.5) &= 10 \\ I_1 &= 2.125 \text{ A} \end{aligned}$$

$$\therefore I_3 = I_1 + I_2 = 2.125 - 0.5 = 1.625 \text{ A}$$

9.3 Wheatstone Bridge:

Resistance of a material changes due to several factors such as temperature, strain, humidity, displacement, liquid level, etc. Therefore, measurement of these properties is possible by measuring the resistance. Measurable values of resistance vary from a few milliohms to hundreds of mega ohms. Depending upon the resistance range (milliohm to tens of ohm, tens of ohm to hundreds of ohms, hundreds of ohm to mega ohm, etc.), various methods are used for resistance measurement. Wheatstone's bridge is generally used to measure resistances in the range from tens of ohm to hundreds of ohms.

Wheatstone Bridge was originally developed by Charles Wheatstone (1802- 1875) to measure the values of unknown resistances. It is also used for calibrating measuring instruments such as voltmeters, ammeters, etc.

Four resistances P , Q , R and S are connected to form a quadrilateral ABCD as shown in the Fig. 9.4. A battery of emf ε along with a key is connected between the points A and C such that point A is at higher potential with respect to the point C. A galvanometer of internal resistance G is connected between points B and D.

When the key is closed, current I flows through the circuit. It divides into I_1 and I_2 at point A. I_1 is the current through P and I_2 is the current through S . The current I_1 gets divided at point B. Let I_g be the current flowing through the galvanometer. The currents flowing through Q and R are $(I_1 - I_g)$ and $(I_2 + I_g)$ respectively. From Fig. 9.4,

$$I = I_1 + I_2 \quad \text{--- (9.3)}$$

Consider the loop ABDA. Applying Kirchhoff's voltage law in the clockwise sense shown in the loop we get,

$$-I_1 P - I_g G + I_2 S = 0 \quad \text{--- (9.4)}$$

Now consider loop BCDB, applying Kirchhoff's voltage law in the clockwise sense shown in the loop we get,

$$-(I_1 - I_g) Q + (I_2 + I_g) R + I_g G = 0 \quad \text{--- (9.5)}$$

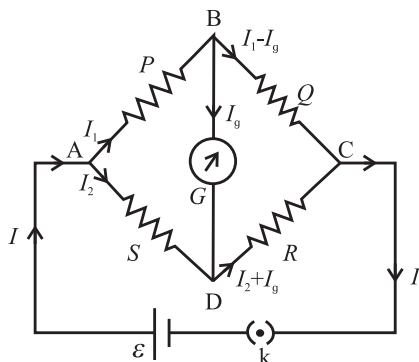


Fig. 9.4 : Wheatstone bridge.

From these three equations (Eq. (9.3), (9.4), (9.5)) we can find the current flowing through any branch of the circuit.

A special case occurs when the current passing through the galvanometer is zero. In this case, the bridge is said to be balanced. Condition for the balance is $I_g = 0$. This condition can be obtained by adjusting the values of P , Q , R and S . Substituting $I_g = 0$ in Eq. (9.4) and Eq. (9.5) we get,

$$-I_1 P + I_2 S = 0 \therefore I_1 P = I_2 S \quad \text{--- (9.6)}$$

$$-I_1 Q + I_2 R = 0 \therefore I_1 Q = I_2 R \quad \text{--- (9.7)}$$

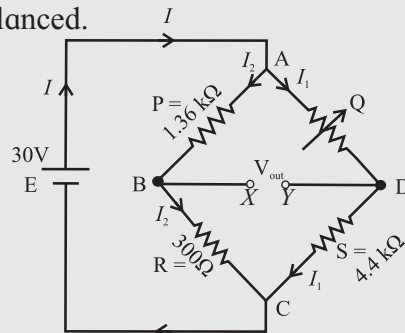
Dividing Eq. (9.6) by Eq. (9.7), we get

$$\frac{P}{Q} = \frac{S}{R} \quad \text{--- (9.8)}$$

This is the condition for balancing the Wheatstone bridge.

If any three resistances in the bridge are known, the fourth resistance can be determined by using Eq. (9.8).

Example 9.4: At what value should the variable resistor Q be set in the circuit such that the bridge is balanced? If the source voltage is 30 V find the value of the output voltage across XY , when the bridge is balanced.



When the bridge is balanced

$$P / Q = R / S$$

$$Q = PS / R$$

$$\frac{1.36 \times 10^3 \times 4.4 \times 10^3}{300} = 19946.66 \Omega$$

Total resistance of the arm

$$ADC = 19947 + 4400 = 24347 \Omega$$

To find output voltage across XY :

Potential difference across

$$AC = I_1 \times 24340 = 30$$

$$I_1 = \frac{30}{24347} \text{ A}$$

Potential difference across

$$\begin{aligned} \text{AD is } V_{AD} &= I_1 \times 19947 \\ &= (30 \times 19947) / 24347 = 24.58 \text{ V} \end{aligned}$$

$$I_2 = \frac{30}{1360 + 300} = \frac{30}{1660} \text{ A}$$

Hence, potential difference across AB is

$$V_{AB} = I_2 \times 1360 = \frac{30}{1660} \times 1360 = 24.58 \text{ V}$$

$$\begin{aligned} V_{out} &= V_D - V_B \\ &= V_{AB} - V_{AD} \\ &= 24.58 - 24.58 = 0 \text{ V} \end{aligned}$$

Application of Wheatstone bridge:

Figure 9.4 is a basic circuit diagram of Wheatstone bridge, however, in practice the circuit is used in different manner. In all cases it is used to determine some unknown resistance. Few applications of Wheatstone bridge circuits are discussed in the following article.

9.3.1 Metre Bridge:

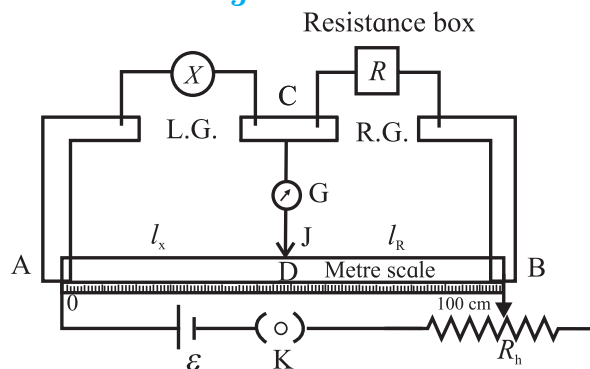


Fig. 9.5: Metre bridge.

Metre bridge (Fig. 9.5) consists of a wire of uniform cross section and one metre in length, stretched on a metre scale which is fixed on a wooden table. The ends of the wire are fixed below two L shaped metallic strips. A single metallic strip separates the two L shaped strips leaving two gaps, left gap and right gap. Usually, an unknown resistance X is connected in the left gap and a resistance box is connected in the right gap. One terminal of a galvanometer is connected to the central strip C , while the other terminal of the galvanometer carries the jockey (J).

Temporary contact with the wire AB can be established with the help of the jockey. A cell of emf ε along with a key and a rheostat are connected between the points A and B .

A suitable resistance R is selected from resistance box. The jockey is brought in contact with AB at various points on the wire AB and the balance point (null point), D , is obtained. The galvanometer shows no deflection when the jockey is at the balance point.

Let the respective lengths of the wire between A and D , and that between D and C be l_x and l_R . Then using the conditions for the balance, we get

$$\frac{X}{R} = \frac{R_{AD}}{R_{DB}}$$

where R_{AD} and R_{DB} are the resistances of the parts AD and DB of the wire. If l_x and l_R are the lengths of the parts AD and DB of the wire AB , ρ is the specific resistance of the wire, and A is the area of cross section of wire AB then,

$$R_{AD} = \frac{\rho l_x}{A} \quad R_{DB} = \frac{\rho l_R}{A}$$

$$\frac{X}{R} = \frac{R_{AD}}{R_{DB}} = \frac{\rho l_x / A}{\rho l_R / A}$$

$$\therefore \frac{X}{R} = \frac{l_x}{l_R}$$

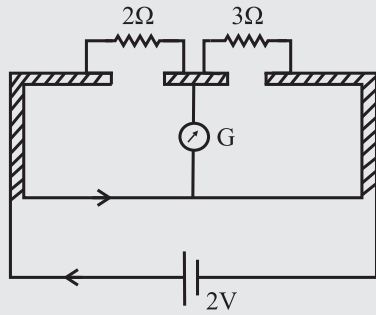
$$\text{Therefore, } X = \frac{l_x}{l_R} R \quad \text{--- (9.9)}$$

Knowing R , l_x and l_R , the value of the unknown resistance X can be determined.

Example 9.5: Two resistances 2 ohm and 3 ohm are connected across the two gaps of the metre bridge as shown in figure. Calculate the current through the cell when the bridge is balanced and the specific resistance of the material of the metre bridge wire. Given the resistance of the bridge wire is 1.49 ohm and its diameter is 0.12 cm.

Solution: When the bridge is balanced, the resistances 2 and 3 ohm are in series and the total resistance is 5 ohm.

Let R_1 be the resistance of the wire = 1.49 Ω , and R_2 be the total resistance (2+3)=5 Ω



$$R_p = \frac{R_1 R_2}{R_1 + R_2} = \frac{1.49 \times 5}{1.49 + 5} = 1.15 \Omega$$

The current through the cell

$$= \frac{\varepsilon}{R_p} = \frac{2}{1.15} = 1.739 \text{ A}$$

$$\text{Specific resistance of the wire} = \rho = \frac{R \pi r^2}{l}$$

$$l = 1 \text{ m}, r = \frac{0.12}{2} = 0.06 \text{ cm}, R = 1.49 \Omega$$

$$\rho = \frac{R \pi r^2}{l} = \frac{1.49 \times 3.14 \times (0.06 \times 10^{-2})^2}{1}$$

$$= 1.686 \times 10^{-6} \Omega \text{ m} (\pi = 3.142)$$



Remember this

Source of errors.

1. The cross section of the wire may not be uniform.
2. The ends of the wire are soldered to the metallic strip where contact resistance is developed, which is not taken into account.
3. The measurements of l_x and l_R may not be accurate.

To minimize the errors

- (i) The value of R is so adjusted that the null point is obtained to middle one third of the wire (between 34 cm and 66 cm) so that percentage error in the measurement of l_x and l_R are minimum and nearly the same.
- (ii) The experiment is repeated by interchanging the positions of unknown resistance X and known resistance box R .
- (iii) The jockey should be tapped on the wire and not slid. We use jockey to

detect whether there is a current through the central branch. This is possible only by tapping the jockey.

Applications:

- The Wheatstone bridge is used for measuring the values of very low resistance precisely.
- We can also measure the quantities such as galvanometer resistance, capacitance, inductance and impedance using a Wheatstone bridge.



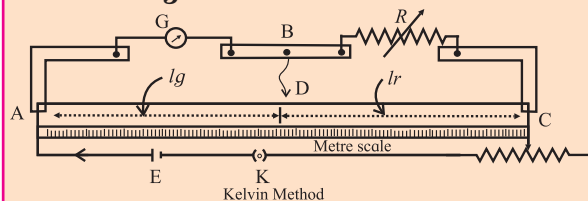
Do you know?

Wheatstone bridge along with operational amplifier is used to measure the physical parameters like temperature, strain, etc.



Activity

1. Kelvin's method to determine the resistance of galvanometer (G) by using meter bridge.



The galvanometer whose resistance (G) is to be determined is connected in one gap and a known resistance (R) is connected in the other gap.

Working :

1. A suitable resistance is taken in the resistance box. The current is sent round the circuit by closing the key. Without touching the jockey at any point of the wire, the deflection in the galvanometer is observed.
2. The rheostat is adjusted to get a suitable deflection around $(2/3)^{\text{rd}}$ of range.
3. Now, the jockey is tapped at different points of the wire and a point of contact D for which, the galvanometer shows no *change* in the deflection, is found.
4. As the galvanometer shows the same deflection with or without contact

between the point B and D, these two points must be equipotential points.

- The length of the bridge wire between the point D and the left end of the wire is measured. Let l_g be the length of the segment of wire opposite to the galvanometer and l_r be the length of the segment opposite to the resistance box.

Calculation :

Let R_{AD} and R_{DC} be the resistances of the two parts AD and DC respectively of the bridge wire. Since bridge is balanced

$$\frac{G}{R} = \frac{R_{AD}}{R_{DC}}$$

$$\text{but } \frac{R_{AD}}{R_{DC}} = \frac{l_g}{l_r} \quad \therefore \frac{G}{R} = \frac{l_g}{100 - l_g}$$

$\{l_g + l_r = 100 \text{ cm}\}$

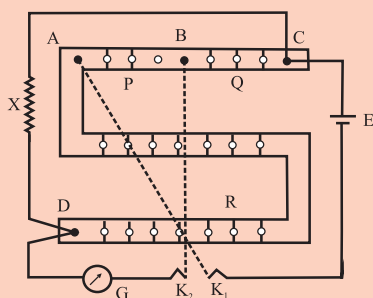
or,

$$G = \left(\frac{l_g}{100 - l_g} \right) R$$

Using this formula, the unknown resistance of the galvanometer can be calculated.

2. Post Office Box

A post office box (PO Box) is a practical form of Wheatstone bridge as shown in the figure.



It consists of three arms P, Q and R. The resistances in these three arms are adjustable. The two ratio arms P and Q contain resistances of 10 ohm, 100 ohm and 1000 ohm each. The third arm R contains resistances from 1 ohm to 5000 ohm. The unknown resistance X (usually, in the form of a wire) forms the fourth arm of the Wheatstone's bridge. There are two tap keys K_1 and K_2 .

The resistances in the arms P and Q are fixed to desired ratio. The resistance in the arm R is adjusted so that the galvanometer shows no deflection. Now the bridge is balanced. The unknown resistance $X = RQ / P$, where P and Q are the fixed resistances in the ratio arms and R is an adjustable known resistance.

If L is the length and r is the radius of the wire X then the specific resistance of the material of the wire is given by

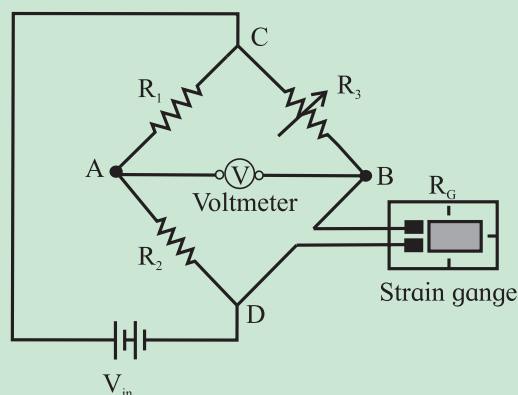
$$\rho = \frac{X\pi r^2}{L}$$



Do you know?

Wheatstone Bridge for Strain Measurement:

Strain gauges are commonly used for measuring the strain. Their electrical resistance is proportional to the strain in the device. In practice, the range of strain gauge resistance is from 30 ohms to 3000 ohms. For a given strain, the resistance change may be only a fraction of full range. Therefore, to measure small resistance changes with high accuracy, Wheatstone bridge configuration is used. The figure below shows the Wheatstone bridge where the unknown resistor is replaced with a strain gauge as shown in the figure.



In these circuit, two resistors R_1 and R_2 are equal to each other and R_3 is the variable resistor. With no force applied to the strain gauge, rheostat is varied and

finally positioned such that the voltmeter will indicate zero deflection, i.e., the bridge is balanced. The strain at this condition represents the zero of the gauge.

If the strain gauge is either stretched or compressed, then the resistance changes. This causes unbalancing of the bridge. This produces a voltage indication on voltmeter which corresponds to the strain change. If the strain applied on a strain gauge is more, then the voltage difference across the meter terminals is more. If the strain is zero, then the bridge balances and meter shows zero reading.

This is the application of precise resistance measurement using a Wheatstone bridge.

9.4 Potentiometer:

A voltmeter is a device which is used for measuring potential difference between two points in a circuit. An ideal voltmeter which does not change the potential difference to be measured, should have infinite resistance so that it does not draw any current. Practically, a voltmeter cannot be designed to have an infinite resistance. Potentiometer is one such device which does not draw any current from the circuit. It acts as an ideal voltmeter. It is used for accurate measurement of potential difference.

9.4.1 Potentiometer Principle:

A potentiometer consists of a long wire AB of length L and resistance R having uniform cross sectional area A . (Fig. 9.6) A cell of emf ε having internal resistance r is connected across AB as shown in the Fig. 9.6. When the circuit is switched on, current I passes through the wire.

Current through AB, $I = \frac{\varepsilon}{R+r}$

Potential difference across AB is

$$V_{AB} = IR$$

$$V_{AB} = \frac{\varepsilon R}{(R+r)}$$

Therefore, the potential difference per unit length of the wire is,

$$\frac{V_{AB}}{L} = \frac{\varepsilon R}{L(R+r)}$$

As long as ε remains constant, $\frac{V_{AB}}{L}$ will remain constant. $\frac{V_{AB}}{L}$ is known as potential gradient along AB and is denoted by K . Potential gradient can be defined as potential difference per unit length of wire.

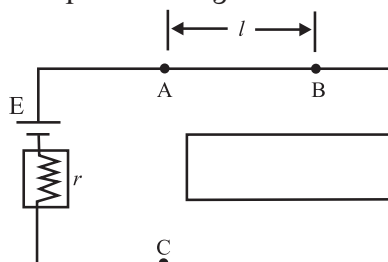


Fig. 9.6: Potentiometer.

Consider a point C on the wire at distance ℓ from the point A, as shown in Fig. 9.6. The potential difference between A and C is V_{AC} . Therefore,

$$V_{AC} = K\ell \text{ i.e. } V_{AC} \propto \ell$$

Thus, the potential difference between two points on the wire is directly proportional to the length of the wire between the two points, provided (i) the wire is of uniform cross section, (ii) the current through the wire is the same and (iii) temperature of the wire remains constant. Uses of potentiometer are discussed below.

9.4.2 Uses of Potentiometer:

A) To Compare emf of Cells

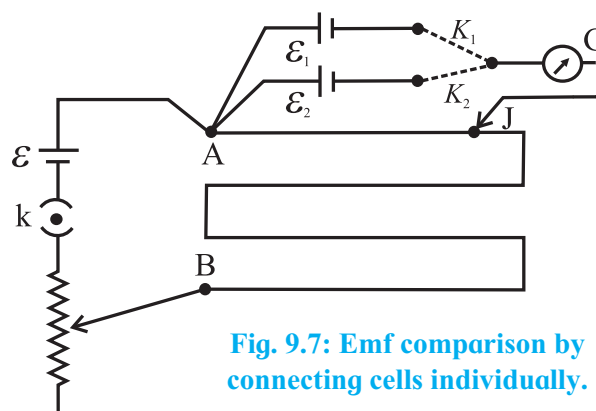


Fig. 9.7: Emf comparison by connecting cells individually.

Method I : A potentiometer circuit is set up by connecting a battery of emf ε , with a key K and a rheostat such that point A is at higher

potential than point B. The cells whose emfs are to be compared are connected with their positive terminals at point A and negative terminals to the extreme terminals of a two-way key K_1K_2 . The central terminal of the two ways key is connected to a galvanometer. The other end of the galvanometer is connected to a jockey (J). (Fig. 9.7) Key K is closed and then, key K_1 is closed and key K_2 is kept open. Therefore, the cell of emf ε_1 comes into circuit. The null point is obtained by touching the jockey at various points on the potentiometer wire AB. Let l_1 be the length of the wire between the null point and the point A. l_1 corresponds to emf ε_1 of the cell. Therefore,

$$\varepsilon_1 = k l_1$$

where k is the potential gradient along the potentiometer wire.

Now key K_1 is kept open and key K_2 is closed. The cell of emf ε_2 now comes in the circuit. Again, the null point is obtained with the help of the jockey. Let l_2 be the length of the wire between the null point and the point A. This length corresponds to the emf ε_2 of the cell.

$$\therefore \varepsilon_2 = k l_2$$

From the above two equations we get

$$\frac{\varepsilon_1}{\varepsilon_2} = \frac{l_1}{l_2} \quad \text{--- (9.10)}$$

Thus, we can compare the emfs of the two cells. If any one of the emfs is known, the other can be determined.

Method II: The emfs of cells can be compared also by another method called sum and difference method.

When two cells are connected so that the negative terminal of the first cell is connected to the positive terminal of the second cell as shown in Fig 9.8 (a). The emf of the two cells are added up and the effective emf of the combination of two cells is $\varepsilon_1 + \varepsilon_2$. This method of connecting two cells is called the sum method.

When two cells are connected so that their negative terminals are together or their positive terminals are connected together as shown in Fig. 9.8 (b).

In this case their emf oppose each other and effective emf of the combination of two cells is $\varepsilon_1 - \varepsilon_2$ ($\varepsilon_1 > \varepsilon_2$ assumed). This method of connecting two cells is called the difference method. Remember that this combination of cells is not a parallel combination of cells.

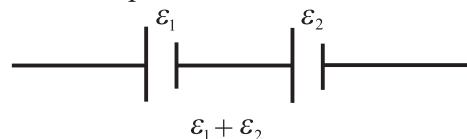


Fig. 9.8 (a): Sum method.

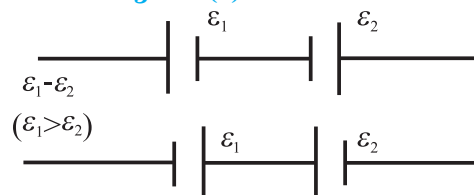


Fig. 9.8 (b): Difference method.

Circuit is connected as shown in Fig.9.9. When keys K_1 and K_3 are closed the cells ε_1 and ε_2 are in the sum mode. The null point is obtained using the jockey. Let l_1 be the length of the wire between the null point and the point A. This corresponds to the emf ($\varepsilon_1 + \varepsilon_2$).

$$\therefore \varepsilon_1 + \varepsilon_2 = k l_1$$

Now the key K_1 and K_3 are kept open and keys K_2 and K_4 are closed. In this case the two cells are in the difference mode. Again the null point is obtained. Let l_2 be the length of the wire between the null point and the point A. This corresponds to $\varepsilon_1 - \varepsilon_2$

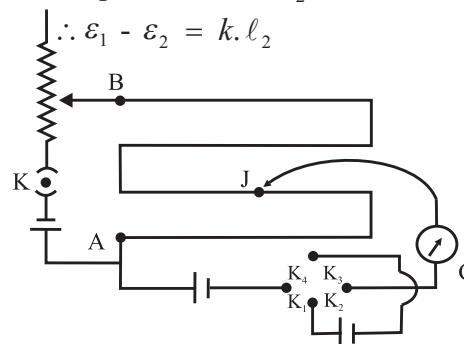


Fig. 9.9: Emf comparison, sum and difference method.

From the above two equations,

$$\frac{\varepsilon_1 + \varepsilon_2}{\varepsilon_1 - \varepsilon_2} = \frac{\ell_1}{\ell_2}$$

By componendo and dividendo method, we get,

$$\frac{\varepsilon_1}{\varepsilon_2} = \frac{\ell_1 + \ell_2}{\ell_1 - \ell_2} \quad \text{--- (9.11)}$$

Thus, emf of two cells can be compared.

B) To Find Internal Resistance (r) of a Cell:

The experimental set up for this method consists of a potentiometer wire AB connected in series with a cell of emf ε , the key K_1 , and rheostat as shown in Fig. 9.10. The terminal A is at higher potential than terminal B. A cell of emf ε_1 whose internal resistance r_1 is to be determined is connected to the potentiometer wire through a galvanometer G and the jockey J. A resistance box R is connected across the cell ε_1 through the key K_2 .

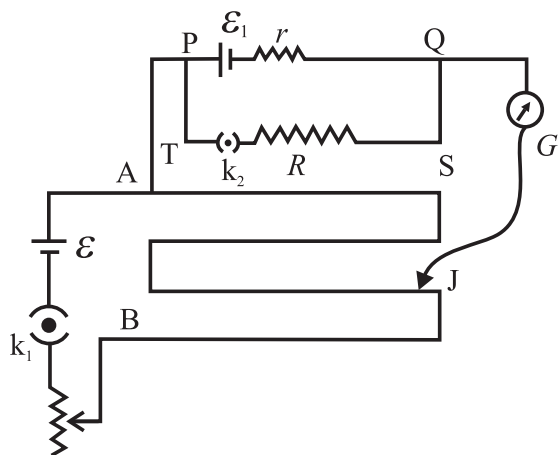


Fig. 9.10 : Internal resistance of a cell.

The key K_1 is closed and K_2 is open. The circuit now consists of the cell ε , cell ε_1 , and the potentiometer wire. The null point is then obtained. Let ℓ_1 be length of the potentiometer wire between the null point and the point A. This length corresponds to emf ε_1 .

$\therefore \varepsilon_1 = k \ell_1$ where k is potential gradient of the potentiometer wire which is constant.

Now both the keys K_1 and K_2 are closed so that the circuit consists of the cell ε , the cell ε_1 , the resistance box, the galvanometer and the jockey. Some resistance R is selected from the resistance box and null point is obtained.

The length of the wire ℓ_2 between the null point and point A is measured. This corresponds to the voltage between the null point and point A.

$$\therefore V = k \ell_2 \quad \therefore \frac{\varepsilon_1}{V} = \frac{k \ell_1}{k \ell_2} = \frac{\ell_1}{\ell_2}$$

Consider the loop PQSTP.

$$\varepsilon_1 = IR + Ir \quad \text{and}$$

$$V = IR$$

$$\therefore \frac{\varepsilon_1}{V} = \frac{IR + Ir}{IR} = \frac{R + r}{R} = \frac{\ell_1}{\ell_2}$$

$$\therefore r = R \left(\frac{\ell_1}{\ell_2} - 1 \right) \quad \text{--- (9.12)}$$

This equation gives the internal resistance of the cell.

C) Application of potentiometer:

The applications of potentiometer discussed above are used in laboratory. Some practical applications of potentiometer are given below.

1) Voltage Divider: The potentiometer can be used as a voltage divider to continuously change the output voltage of a voltage supply (Fig. 9.11). As shown in the Fig. 9.11, potential V is set up between points A and B of a potentiometer wire. One end of a device is connected to positive point A and the other end is connected to a slider that can move along wire AB. The voltage V divides in proportion of lengths ℓ_1 and ℓ_2 as shown in the figure 9.11.

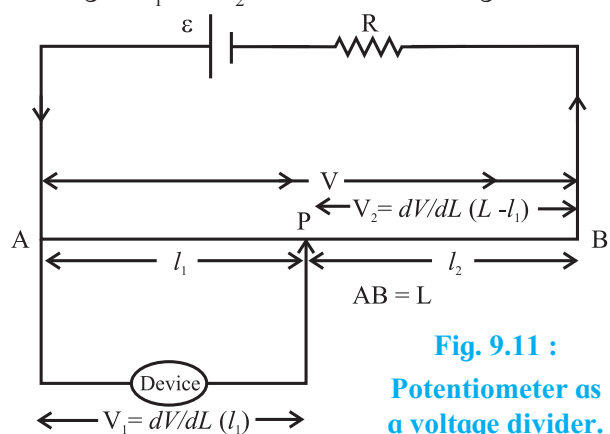


Fig. 9.11 :

Potentiometer as a voltage divider.

2) Audio Control: Sliding potentiometers, are commonly used in modern low-power audio systems as audio control devices. Both sliding

(faders) and rotary potentiometers (knobs) are regularly used for frequency attenuation, loudness control and for controlling different characteristics of audio signals.

3) Potentiometer as a sensor: If the slider of a potentiometer is connected to the moving part of a machine, it can work as a motion sensor. A small displacement of the moving part causes changes in potential which is further amplified using an amplifier circuit. The potential difference is calibrated in terms of the displacement of the moving part.

Example 9.6 : In an experiment to determine the internal resistance of a cell of emf 1.5 V, the balance point in the open cell condition is at 76.3 cm. When a resistor of 9.5 ohm is used in the external circuit of the cell the balance point shifts to 64.8 cm of the potentiometer wire. Determine the internal resistance of the cell.

Solution: Open cell balancing length $l_1 = 76.3$ cm

Closed circuit balancing length $l_2 = 64.8$ cm External resistance $R = 9.5 \Omega$

$$\begin{aligned} \text{Internal resistance } r &= \left(\frac{l_1 - l_2}{l_2} \right) R \\ &= \left(\frac{76.3 - 64.8}{64.8} \right) \times 9.5 \\ &= 1.686 \Omega \end{aligned}$$

9.4.3 Advantages of a Potentiometer Over a Voltmeter:

Merits:

- i) Potentiometer is more sensitive than a voltmeter.
- ii) A potentiometer can be used to measure a potential difference as well as an emf of a cell. A voltmeter always measures terminal potential difference, and as it draws some current, it cannot be used to measure the emf of a cell.
- iii) Measurement of potential difference or emf is very accurate in the case of a potentiometer. A very small potential

difference of the order 10^{-6} volt can be measured with it. Least count of a potentiometer is much better compared to that of a voltmeter.

Demerits:

Potentiometer is not portable and direct measurement of potential difference or emf is not possible.

9.5 Galvanometer:

A galvanometer is a device used to detect weak electric currents in a circuit. It has a coil pivoted (or suspended) between concave pole faces of a strong laminated horse shoe magnet. When an electric current passes through the coil, it deflects. The deflection is proportional to the current passing through the coil. The deflection of the coil can be read with the help of a pointer attached to it. Position of the pointer on the scale provided indicates the current passing through the galvanometer or the potential difference across it. Thus, a galvanometer can be used as an ammeter or voltmeter with suitable modification. The galvanometer coil has a moderate resistance (about 100 ohms) and the galvanometer itself has a small current carrying capacity (about 1 mA).

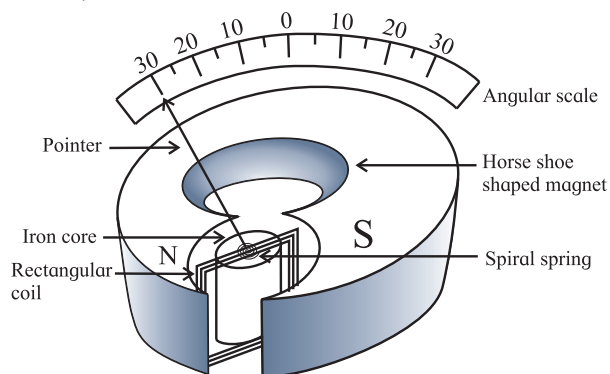


Fig. 9.12 Internal structure of galvanometer.

9.5.1 Galvanometer as an Ammeter:

Let the full scale deflection current and the resistance of the coil G of moving coil galvanometer (MCG) be I_s and G . It can be converted into an ammeter, which is a current measuring instrument. It is always connected in series with a resistance R through which the current is to be measured.

To convert a moving coil galvanometer (MCG) into an ammeter

To convert an MCG into an ammeter, the modifications necessary are

1. Its effective current capacity must be increased to the desired higher value.
2. Its effective resistance must be decreased. The finite resistance G of the galvanometer when connected in series, decreases the current through the resistance R which is actually to be measured. In ideal case, an ammeter should have zero resistance.
3. Care must be taken to protect it from the possible damages due to the passage of an excessive electric current.

In practice this is achieved by connecting a low resistance in parallel with the galvanometer, which effectively reduces the resistance of the galvanometer. This low resistance connected in parallel is called shunt (S). This arrangement is shown in Fig. 9.13.

Uses of the shunt:

- a. It is used to divert a large part of total current by providing an alternate path and thus it protects the instrument from damage.
- b. It increases the range of an ammeter.
- c. It decreases the resistance between the points to which it is connected.

The shunt resistance is calculated as follows. In the arrangement shown in the Fig. 9.13, I_g is the current through the galvanometer.

Therefore, the current through S is $I_s = (I - I_g)$

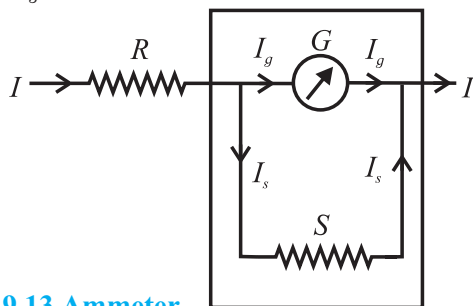


Fig. 9.13 Ammeter.

Since S and G are parallel,

$$GI_g = SI_s$$

$$\therefore GI_g = S(I - I_g)$$

$$\therefore S = \left(\frac{I_g}{I - I_g} \right) G \quad \text{--- (9.13)}$$

Equation 9.13 is useful to calculate the range of current that the galvanometer can measure.

(i) If the current I is n times current I_g , then $I = n I_g$. Using this in the above expression we get

$$S = \frac{GI_g}{nI_g - I_g} \quad \text{or,} \quad S = \frac{G}{n-1}$$

This is the required shunt to increase the range n times.

(ii) Also if I_s is the current through the shunt resistance, then the remaining current $(I - I_s)$ will flow through galvanometer. Hence

$$\begin{aligned} G(I - I_s) &= SI_s \\ \text{i.e. } GI - GI_s &= SI_s \\ \text{i.e. } SI_s + GI_s &= GI \\ \therefore \frac{I_s}{I} &= \left(\frac{G}{S + G} \right) \end{aligned}$$

This equation gives the fraction of the total current through the shunt resistance.

Example 9.7: A galvanometer has a resistance of 100Ω and its full scale deflection current is $100 \mu\text{A}$. What shunt resistance should be added so that the ammeter can have a range of 0 to 10 mA ?

Solution: Given $I_g = 100 \mu\text{A} = 0.1 \text{ mA}$
The upper limit gives the maximum current to be measured, which is $I = 10 \text{ mA}$.

The galvanometer resistance is $G = 100 \Omega$.

Now

$$n = \frac{10}{0.1} = 100 \therefore s = \frac{G}{n-1} = \frac{100}{100-1} = \frac{100}{99} \Omega$$

Example 9.8: What is the value of the shunt resistance that allows 20% of the main current through a galvanometer of 99Ω ?

Solution: Given

$$G = 99 \Omega \text{ and } I_g = (20/100)I = 0.2 I$$

Now

$$S = \frac{I_g G}{I - I_g} = \frac{0.2 I \times 99}{(I - 0.2 I)} = \frac{0.2 \times 99}{0.8} = 24.75 \Omega$$

9.5.2 Galvanometer as a Voltmeter:

A voltmeter is an instrument used to measure potential difference between two points in an electrical circuit. It is always connected in parallel with the component across which voltage drop is to be measured. A galvanometer can be used for this purpose.

To Convert a Moving Coil Galvanometer into a Voltmeter.

To convert an MCG into a Voltmeter the modifications necessary are:

1. Its voltage measuring capacity must be increased to the desired higher value.
2. Its effective resistance must be increased, and
3. It must be protected from the possible damages, which are likely due to excess applied potential difference.

All these requirements can be fulfilled, if we connect a resistance of suitable high value (X) in series with the given MCG.

A voltmeter is connected across the points where potential difference is to be measured. If a galvanometer is used to measure voltage, it draws some current (due to its low resistance), therefore, actual potential difference to be measured decreases. To avoid this, a voltmeter should have very high resistance. Ideally, it should have infinite resistance.

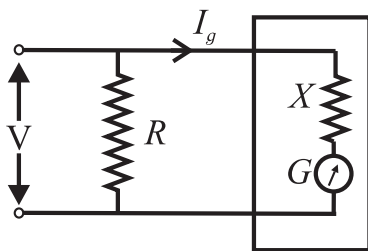


Fig. 9.14 : Voltmeter.

A very high resistance X is connected in series with the galvanometer for this purpose as shown in Fig. 9.14. The value of the resistance X can be calculated as follows.

If V is the voltage to be measured, then

$$\begin{aligned} V &= I_g X + I_g G \\ \therefore I_g X &= V - I_g G \\ \therefore X &= \frac{V}{I_g} - G, \quad \text{--- (9.14)} \end{aligned}$$

where I_g is the current flowing through the galvanometer.

Eq. (9.14) gives the value of resistance X .

If $n_V = \frac{V}{V_g} = \frac{V}{I_g \cdot G}$ is the factor by which the voltage range is increased, it can be shown that $X = G(n_V - 1)$

Example 9.9: A galvanometer has a resistance of 25Ω and its full scale deflection current is $25 \mu\text{A}$. What resistance should be added to it to have a range of $0 - 10 \text{ V}$?

Solution: Given $G = 25 \mu\text{A}$.

Maximum voltage to be measured is $V = 10 \text{ V}$.

The galvanometer resistance $G = 25 \Omega$.

The resistance to be added in series,

$$\begin{aligned} X &= \frac{V}{I_g} - G = \frac{10}{25 \times 10^{-6}} - 25 \\ &= 399.975 \times 10^3 \Omega \end{aligned}$$

Example 9.10: A galvanometer has a resistance of 40Ω and a current of 4 mA is needed for a full scale deflection. What is the resistance and how is it to be connected to convert the galvanometer (a) into an ammeter of 0.4 A range and (b) into a voltmeter of 0.5 V range?

Solution: Given $G = 40 \Omega$ and $I_g = 4 \text{ mA}$

(a) To convert the galvanometer into an ammeter of range 0.4 A ,

$$\begin{aligned} (I - I_g)S &= I_g G \\ (0.4 - 0.004)S &= 0.004 \times 40 \end{aligned}$$

$$\therefore S = \frac{0.004 \times 40}{0.396} = \frac{0.16}{0.396} = 0.4040 \Omega$$

(b) To convert the galvanometer into a voltmeter of range of 0.5 V

$$\begin{aligned} V &= I_g (G + X) \\ 0.5 &= 0.004 (40 + X) \\ \therefore X &= \frac{0.5}{0.004} - 40 = 85 \Omega \end{aligned}$$

Comparison of an ammeter and a voltmeter:

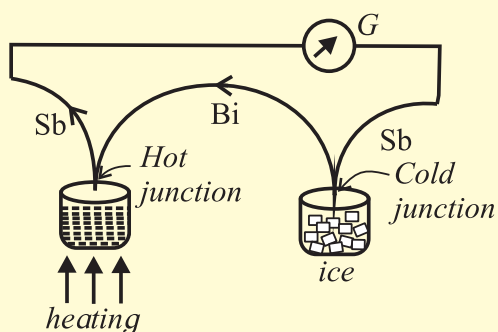
AMMETER	VOLTMETER
1. It measures current.	1. It measures potential difference
2. It is connected in series.	2. It is connected in parallel.
3. It is an MCG with low resistance. (Ideally zero)	3. It is an MCG with high resistance. (Ideally infinite)
4. Smaller the shunt, greater will be the current measured.	4. Larger its resistance, greater will be the potential difference measured.
5. Resistance of ammeter is $R_A = \frac{S \cdot G}{S + G} = \frac{G}{n}$	5. Resistance of voltmeter is $R_V = G + X = G \cdot n_V$

THERMOELECTRICITY

When electric current is passed through a resistor, electric energy is converted into thermal energy. The reverse process, viz., conversion of thermal energy directly into electric energy was discovered by Seebeck and the effect is called thermoelectric effect.

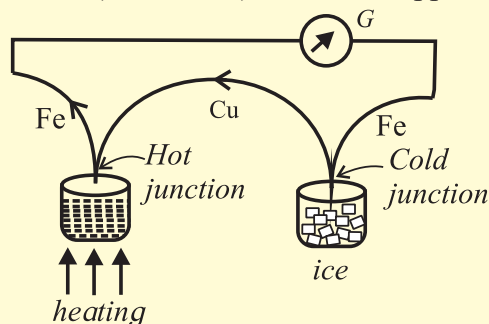
Seebeck Effect

If two different metals are joined to form a closed circuit (loop) and these junctions are kept at different temperatures, a small emf is produced and a current flows through the metals. This emf is called thermo emf this effect is called the Seebeck effect and the pair of dissimilar metals forming the junction is called a thermocouple. An



antimony-bismuth thermo-couple is shown in a diagram.

For this thermo couple the current flows from antimony to bismuth at the cold junction. (ABC rule). For a copper-iron

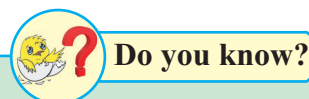


couple (see diagram) the current flows from copper to iron at the hot junction,

This effect is reversible. The direction of the current will be reversed if the hot and cold junctions are interchanged.

The thermo emf developed in a thermocouple when the cold junction is at 0°C and the hot junction is at $T^\circ\text{C}$ is given by $\varepsilon = \alpha T + \frac{1}{2} \beta T^2$

Here α and β are called the thermoelectric constants. This equation tells that a graph showing the variation of ε with temperature is a parabola.



Do you know?

**Accelerator in India:
Cyclotron for medical applications.**



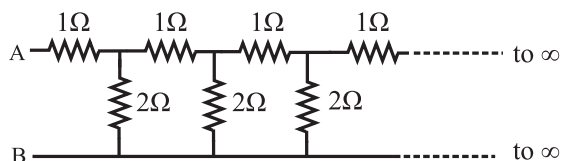
Picture credit: Director, VECC, Kolkata, Department of Atomic Energy, Govt. of India



Exercises

1. Choose the correct option.

- i) Kirchoff's first law, i.e., $\Sigma I = 0$ at a junction, deals with the conservation of
(A) charge (B) energy
(C) momentum (D) mass
- ii) When the balance point is obtained in the potentiometer, a current is drawn from
(A) both the cells and auxiliary battery
(B) cell only
(C) auxiliary battery only
(D) neither cell nor auxiliary battery
- iii) In the following circuit diagram, an infinite series of resistances is shown. Equivalent resistance between points A and B is



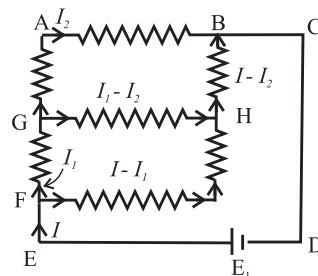
- (A) infinite (B) zero
(C) $2\ \Omega$ (D) $1.5\ \Omega$
- iv) Four resistances $10\ \Omega$, $10\ \Omega$, $10\ \Omega$ and $15\ \Omega$ form a Wheatstone's network. What shunt is required across $15\ \Omega$ resistor to balance the bridge
(A) $10\ \Omega$ (B) $15\ \Omega$
(C) $20\ \Omega$ (D) $30\ \Omega$
- v) A circular loop has a resistance of $40\ \Omega$. Two points P and Q of the loop, which are one quarter of the circumference apart are connected to a $24\ \text{V}$ battery, having an internal resistance of $0.5\ \Omega$. What is the current flowing through the battery.
(A) $0.5\ \text{A}$ (B) $1\ \text{A}$
(C) $2\ \text{A}$ (D) $3\ \text{A}$
- vi) To find the resistance of a gold bangle, two diametrically opposite points of the bangle are connected to the two terminals of the left gap of a metre bridge. A resistance of $4\ \Omega$ is introduced in the right gap. What is the resistance of the bangle if the null point is at $20\ \text{cm}$ from the left end?

- (A) $2\ \Omega$ (B) $4\ \Omega$
(C) $8\ \Omega$ (D) $16\ \Omega$

2. Answer in brief.

- Define or describe a Potentiometer.
 - Define Potential Gradient.
 - Why should not the jockey be slid along the potentiometer wire?
 - Are Kirchoff's laws applicable for both AC and DC currents?
 - In a Wheatstone's meter-bridge experiment, the null point is obtained in middle one third portion of wire. Why is it recommended?
 - State any two sources of errors in meter-bridge experiment. Explain how they can be minimized.
 - What is potential gradient? How is it measured? Explain.
 - On what factors does the potential gradient of the wire depend?
 - Why is potentiometer preferred over a voltmeter for measuring emf?
 - State the uses of a potentiometer.
 - What are the disadvantages of a potentiometer?
 - Distinguish between a potentiometer and a voltmeter.
 - What will be the effect on the position of zero deflection if only the current flowing through the potentiometer wire is (i) increased (ii) decreased.
- Obtain the balancing condition in case of a Wheatstone's network.
 - Explain with neat circuit diagram, how you will determine the unknown resistance by using a meter-bridge.
 - Describe Kelvin's method to determine the resistance of a galvanometer by using a meter bridge.
 - Describe how a potentiometer is used to compare the emfs of two cells by connecting the cells individually.

7. Describe how a potentiometer is used to compare the emfs of two cells by combination method.
8. Describe with the help of a neat circuit diagram how you will determine the internal resistance of a cell by using a potentiometer. Derive the necessary formula.
9. On what factors does the internal resistance of a cell depend?
10. A battery of emf 4 volt and internal resistance $1\ \Omega$ is connected in parallel with another battery of emf 1 V and internal resistance $1\ \Omega$ (with their like poles connected together). The combination is used to send current through an external resistance of $2\ \Omega$. Calculate the current through the external resistance.
[Ans: 1 A]
11. Two cells of emf 1.5 Volt and 2 Volt having respective internal resistances of $1\ \Omega$ and $2\ \Omega$ are connected in parallel so as to send current in same direction through an external resistance of $5\ \Omega$. Find the current through the external resistance.
[Ans: 5/17 A]
12. A voltmeter has a resistance $30\ \Omega$. What will be its reading, when it is connected across a cell of emf 2 V having internal resistance $10\ \Omega$?
[Ans: 1.5 V]
13. A set of three coils having resistances $10\ \Omega$, $12\ \Omega$ and $15\ \Omega$ are connected in parallel. This combination is connected in series with series combination of three coils of the same resistances. Calculate the total resistance and current through the circuit, if a battery of emf 4.1 Volt is used for drawing current.
[Ans: 41 Ω , 0.1 A]
14. A potentiometer wire has a length of 1.5 m and resistance of $10\ \Omega$. It is connected in series with the cell of emf 4 Volt and internal resistance $5\ \Omega$. Calculate the potential drop per centimeter of the wire.
[Ans: 0.0178 V/cm]
15. When two cells of emfs. ε_1 and ε_2 are connected in series so as to assist each other, their balancing length on a potentiometer is found to be 2.7 m. When the cells are connected in series so as to oppose each other, the balancing length is found to be 0.3 m. Compare the emfs of the two cells.
[Ans: 1.25]
16. The emf of a cell is balanced by a length of 120 cm of potentiometer wire. When the cell is shunted by a resistance of $10\ \Omega$, the balancing length is reduced by 20 cm. Find the internal resistance of the cell.
[Ans: $r = 2\ \text{Ohm}$]
17. A potential drop per unit length along a wire is $5 \times 10^{-3}\ \text{V/m}$. If the emf of a cell balances against length 216 cm of this potentiometer wire, find the emf of the cell.
[Ans: 0.01080 V]
18. The resistance of a potentiometer wire is $8\ \Omega$ and its length is 8 m. A resistance box and a 2 V battery are connected in series with it. What should be the resistance in the box, if it is desired to have a potential drop of $1\ \mu\text{V/mm}$?
[Ans: 1992 ohm]
19. Find the equivalent resistance between the terminals F and B in the network shown in the figure below given that the resistance of each resistor is 10 ohm.



[Ans: 14 Ohm]

20. A voltmeter has a resistance of $100\ \Omega$. What will be its reading when it is connected across a cell of emf 2 V and internal resistance $20\ \Omega$?

[Ans: 1.66 V]
